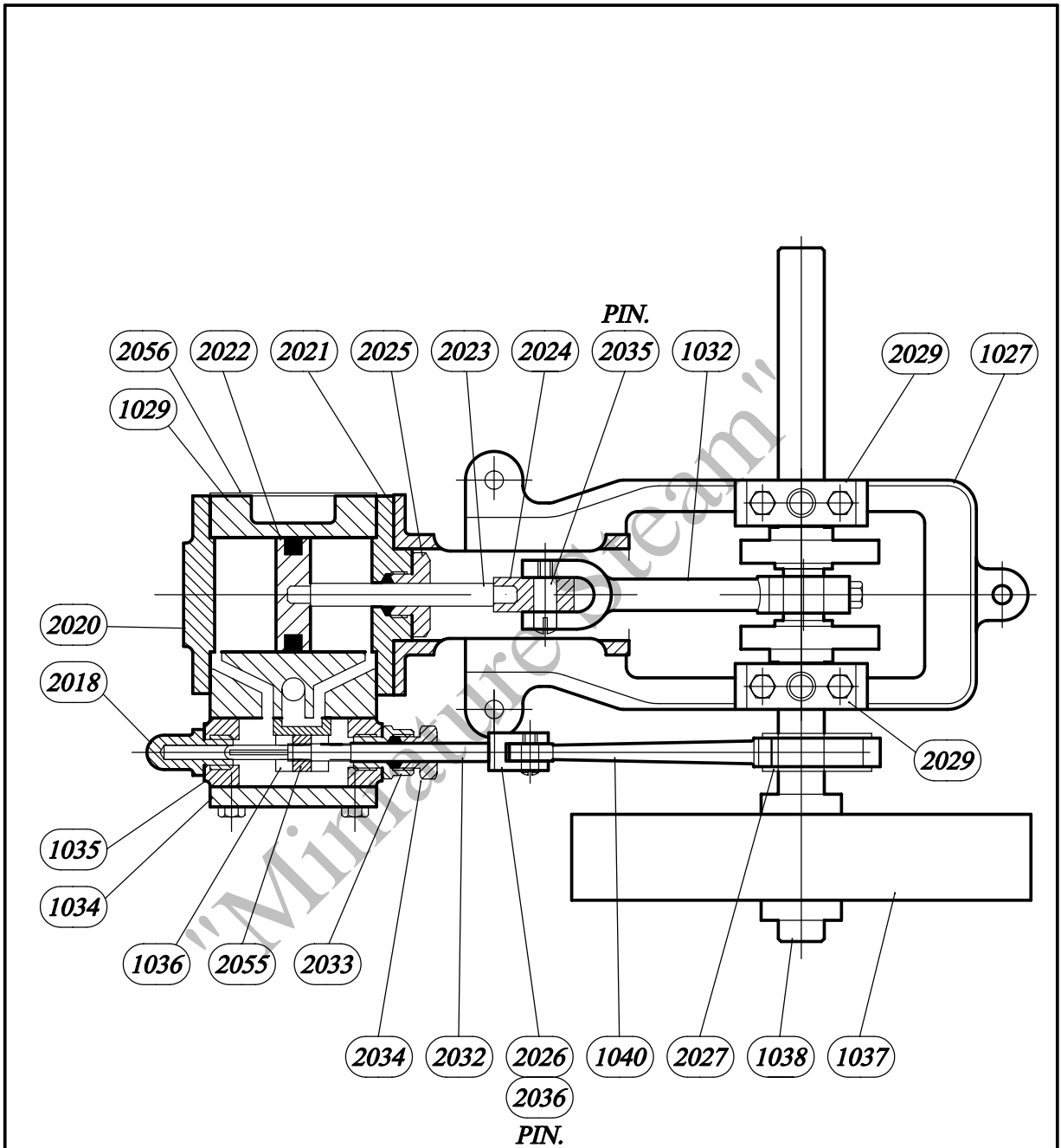


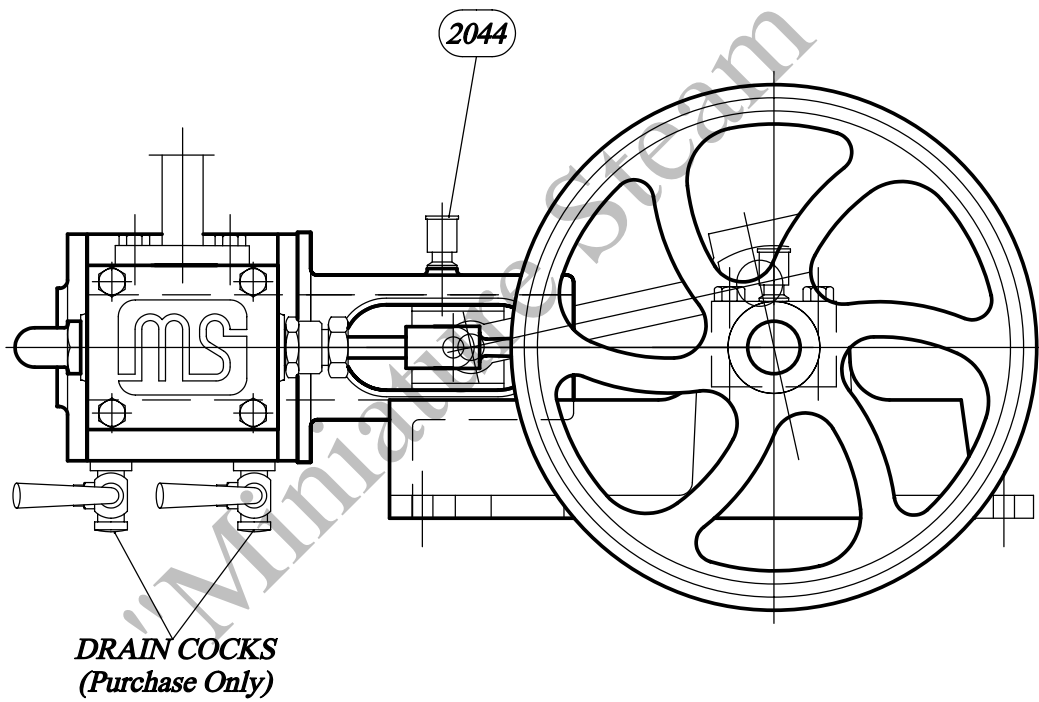
# "Pevensey" General Assembly - Plan



P L A N .

<p><i>Miniature Steam Pty. Ltd.</i></p> <p>A.B.N 21 757 946 436</p>	<p>Title <b>GENERAL ARRANGEMENT - 'PEVENSEY'.</b></p> <p style="text-align: right;"><i>SHEET 2 OF 2</i></p>		
Date: <b>21.08.07</b>	Scale: <b>N.T.S.</b>	Part No. <b>GA-0004</b>	Rev. <b>1</b>

# "Pevensey" General Assembly - Side Elevation



S I D E   E L E V A T I O N .

**Miniature Steam Pty. Ltd.**

**A.B.N. 21 757 946 436**

Title

**GENERAL ARRANGEMENT - 'PEVENSEY'.**

**SHEET 1 OF 2**

Date:

**21.08.07**

Scale:

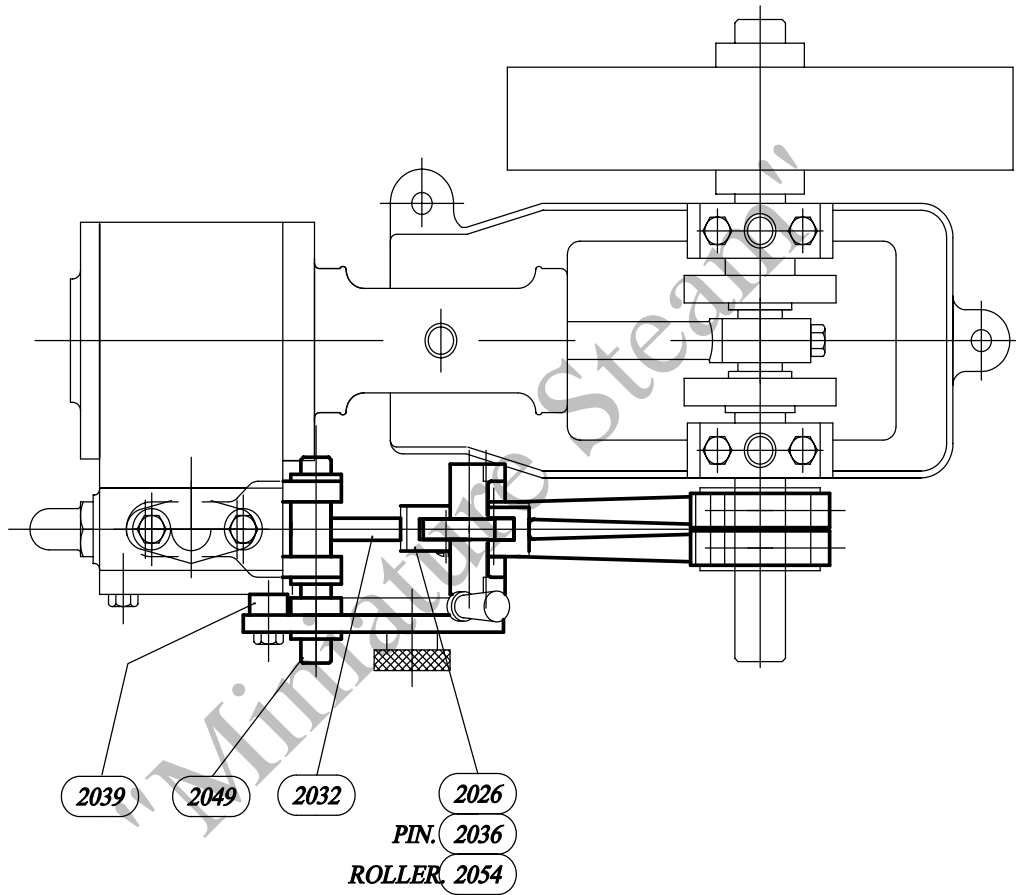
**N.T.S.**

Part No.

**GA-0004**

Rev. **1**

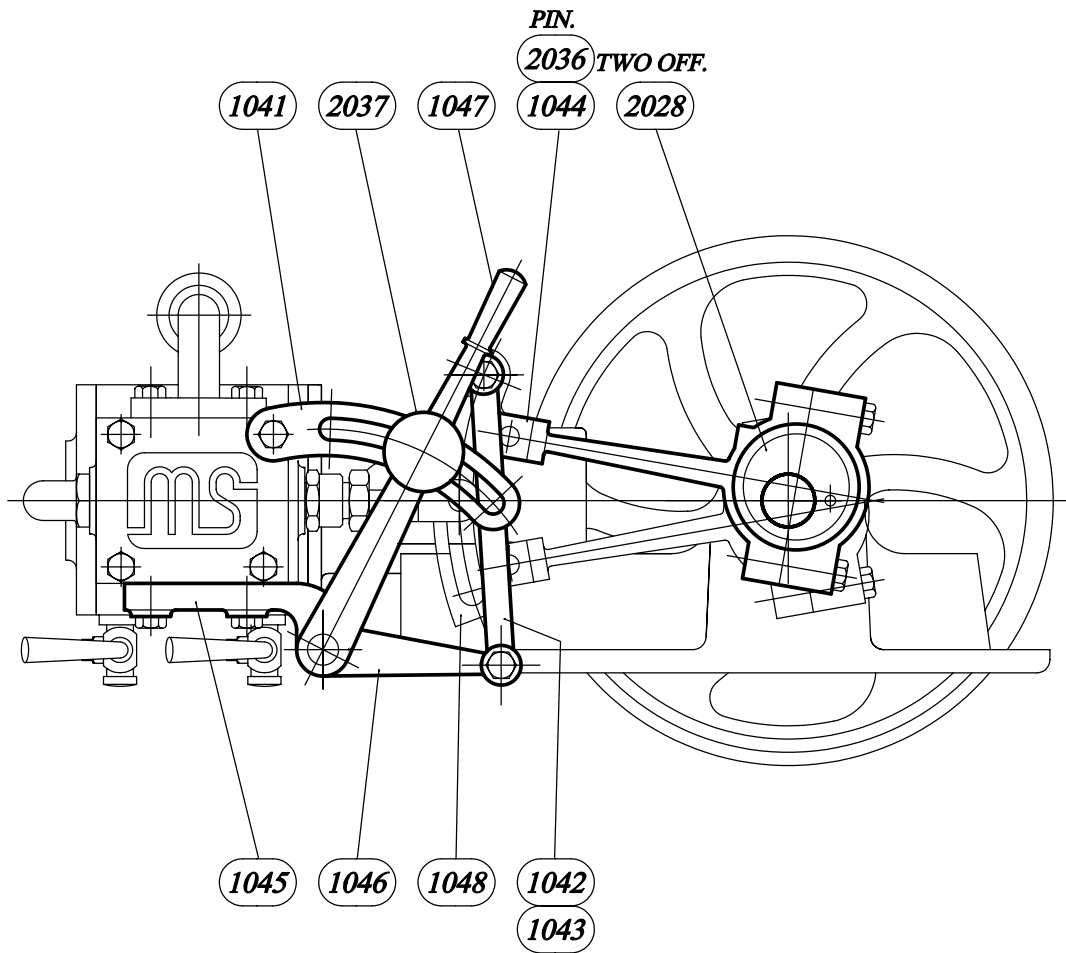
# "Pevensey" Reversing Gear GA Plan View



PLAN VIEW.

<i>Miniature Steam Pty. Ltd.</i> A.B.N 21 757 946 436	Title <b>GENERAL ARRANGEMENT - REVERSING GEAR</b> <i>fitted to 'PEVENSEY'</i> <b>SHEET 1 OF 2</b>		
	Date: <b>20.08.07</b>	Scale: <b>N.T.S.</b>	Part No. <b>GA-0008</b> Rev. <b>1</b>

**"Pevensey" Reversing Gear GA Elevation**



E L E V A T I O N .

*Miniature Steam Pty. Ltd.*  
A.B.N. 21 757 946 436

Title <b>GENERAL ARRANGEMENT - REVERSING GEAR</b>			
fitted to 'PEVENSEY' <span style="float: right;"><b>SHEET 2 OF 2</b></span>			
Date: <b>20.08.07</b>	Scale: <b>N.T.S.</b>	Part No. <b>GA-0008</b>	Rev. <b>1</b>