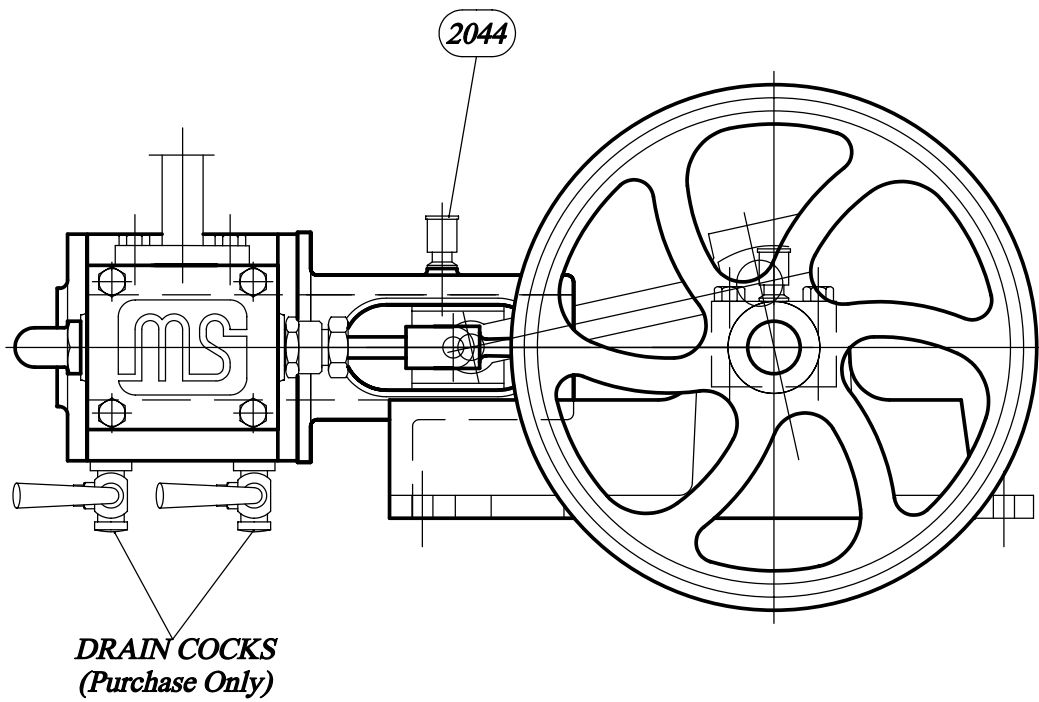


"Pevensey" General Assembly - Side Elevation



*DRAIN COCKS
(Purchase Only)*

S I D E E L E V A T I O N .

Miniature Steam Pty. Ltd.

A.B.N. 21 757 946 436

Title

GENERAL ARRANGEMENT - 'PEVENSEY'.

SHEET 1 OF 2

Date:

21.08.07

Scale:

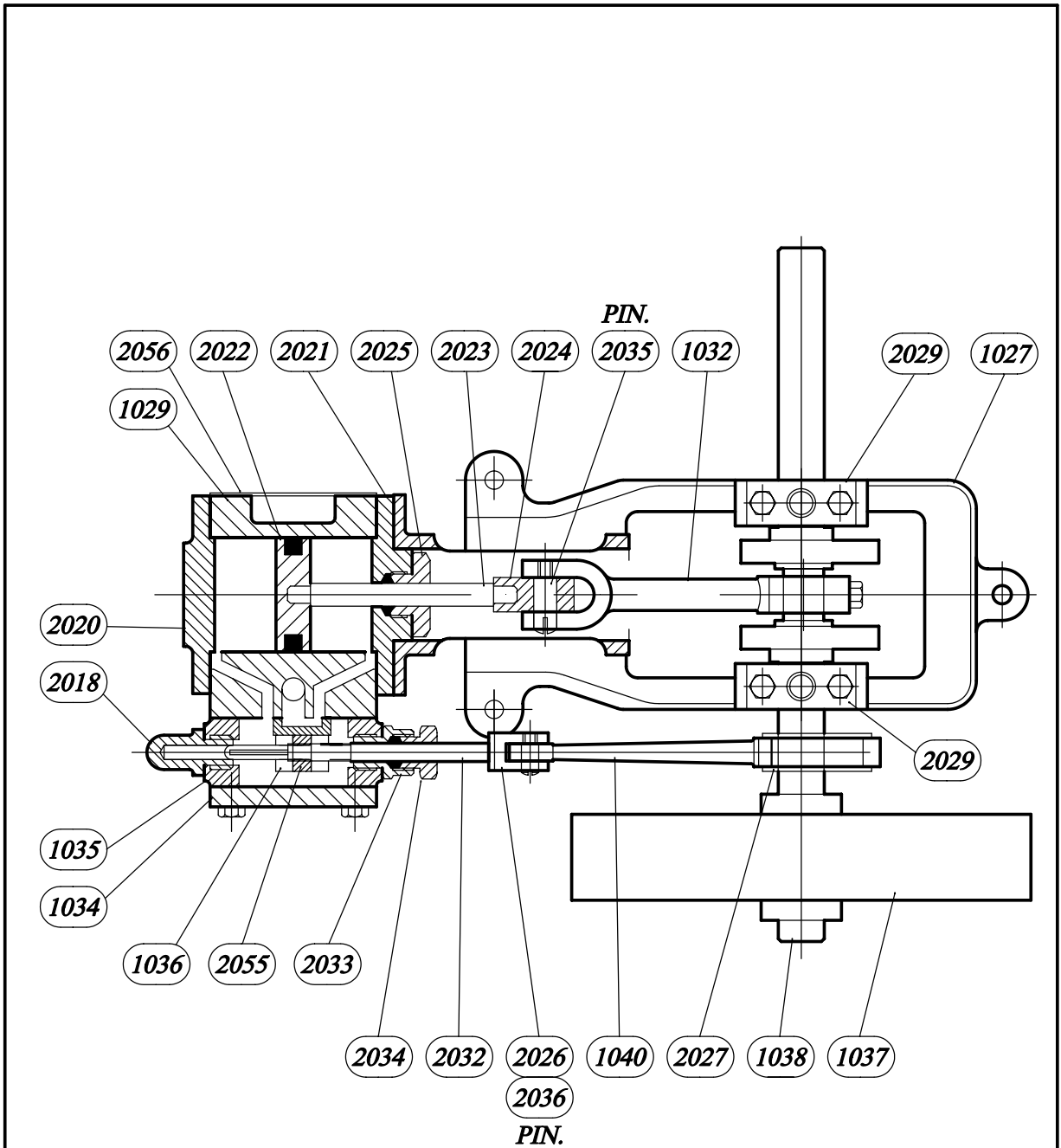
N.T.S.

Part No.

GA-0004

Rev. *1*

"Pevensey" General Assembly - Plan



P L A N .

| | | | |
|--|---|-------------------------|---------------|
| <p><i>Miniature Steam Pty. Ltd.</i> A.B.N 21 757 946 436</p> | <p>Title GENERAL ARRANGEMENT - 'PEVENSEY'.</p> <p style="text-align: right;">SHEET 2 OF 2</p> | | |
| Date: 21.08.07 | Scale: N.T.S. | Part No. GA-0004 | Rev. 1 |