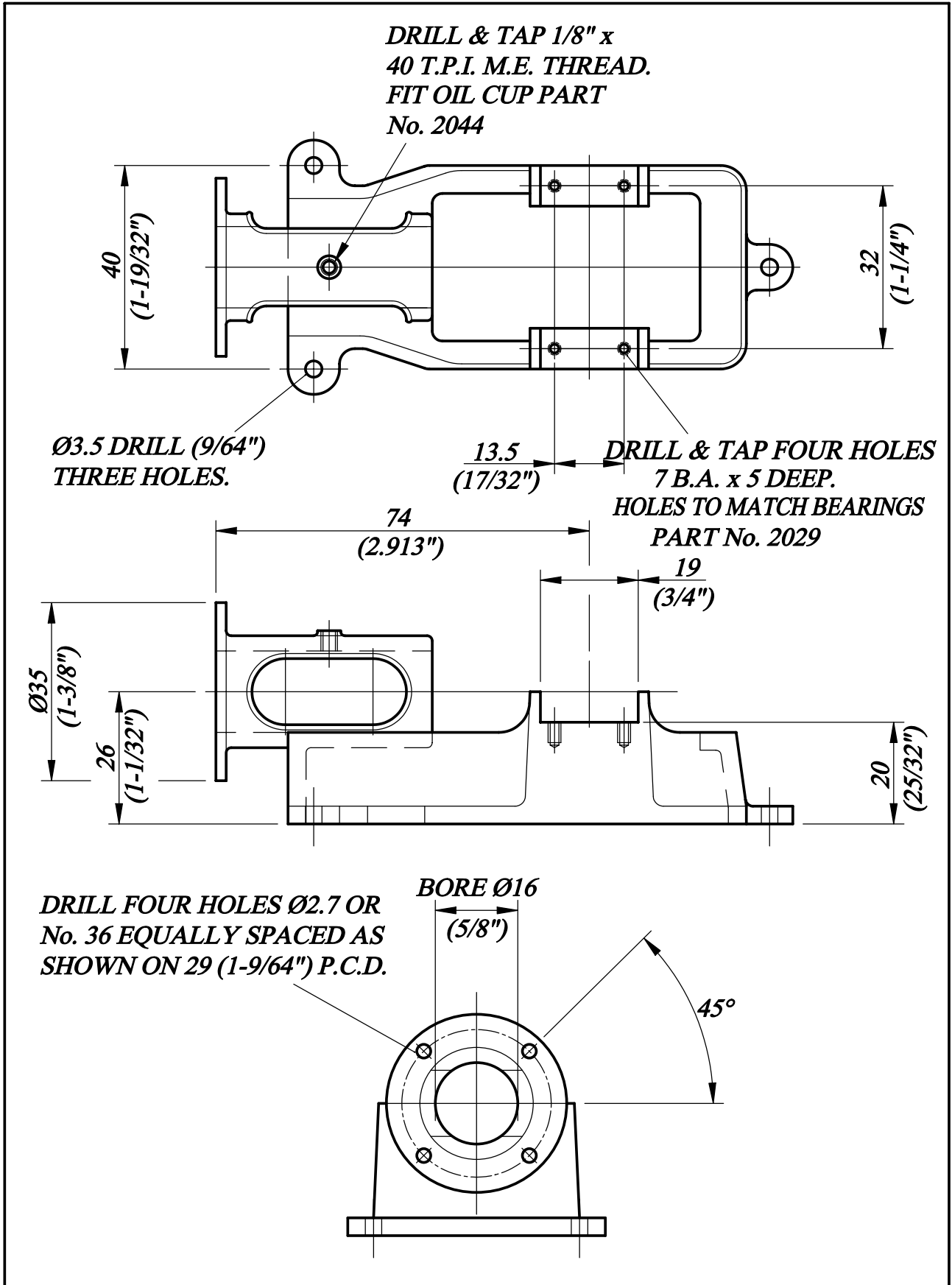
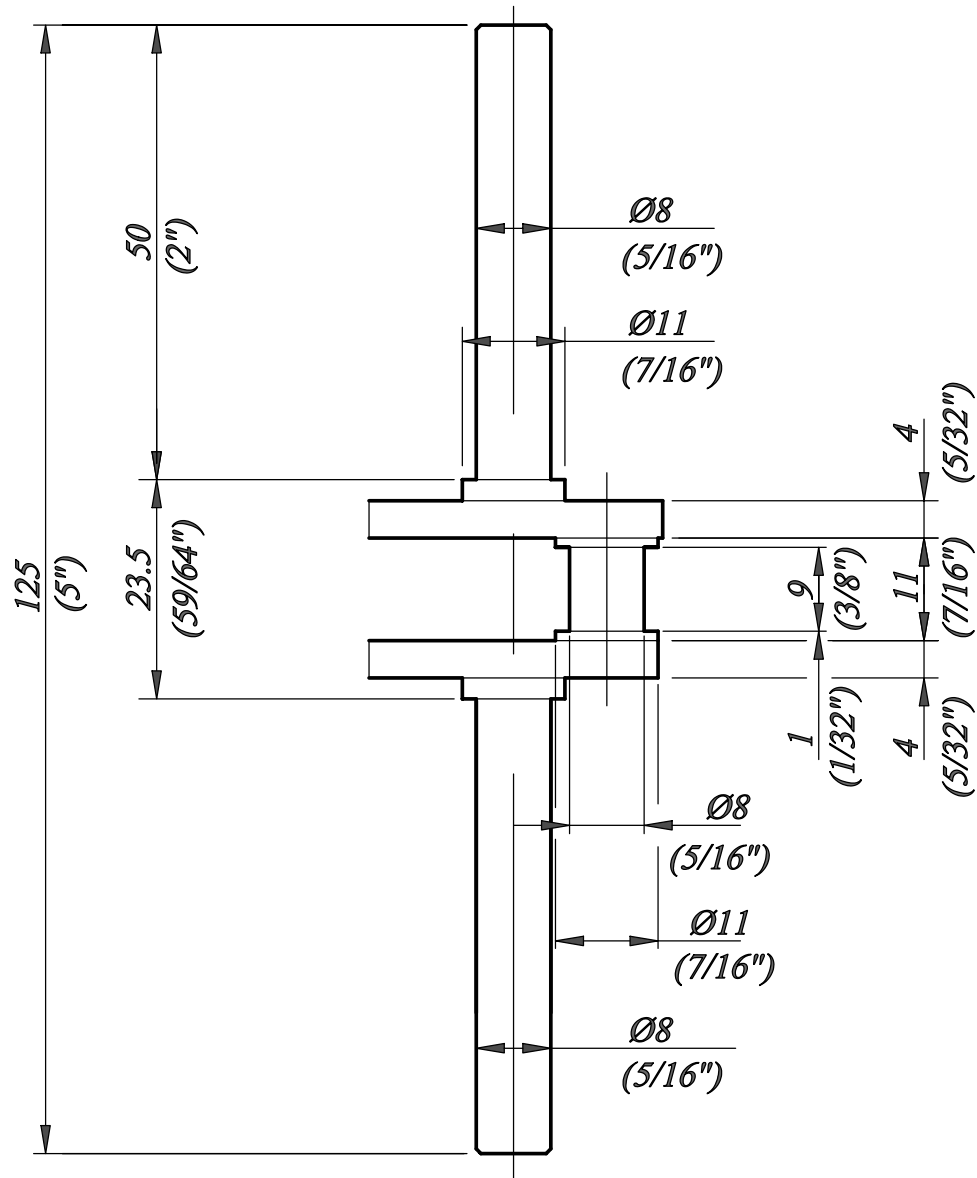


"Pevensey" Base Sub-assembly P2/6



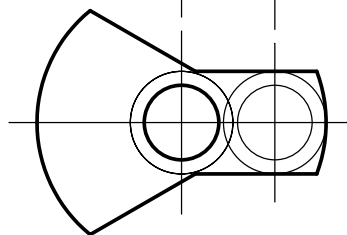
<p><i>Miniature Steam Pty. Ltd.</i> A.B.N. 21 757 946 436</p>	<p>Material: Bronze AS 1565 G1 Grade 905C</p>	<p>Title: BASE - HORIZONTAL SINGLE CYLINDER.</p>	
	<p>Date: 21.04.08</p>	<p>Scale: N.T.S.</p>	<p>Part No. 1027</p>

"Pevensey" Base Sub-assembly P4/6



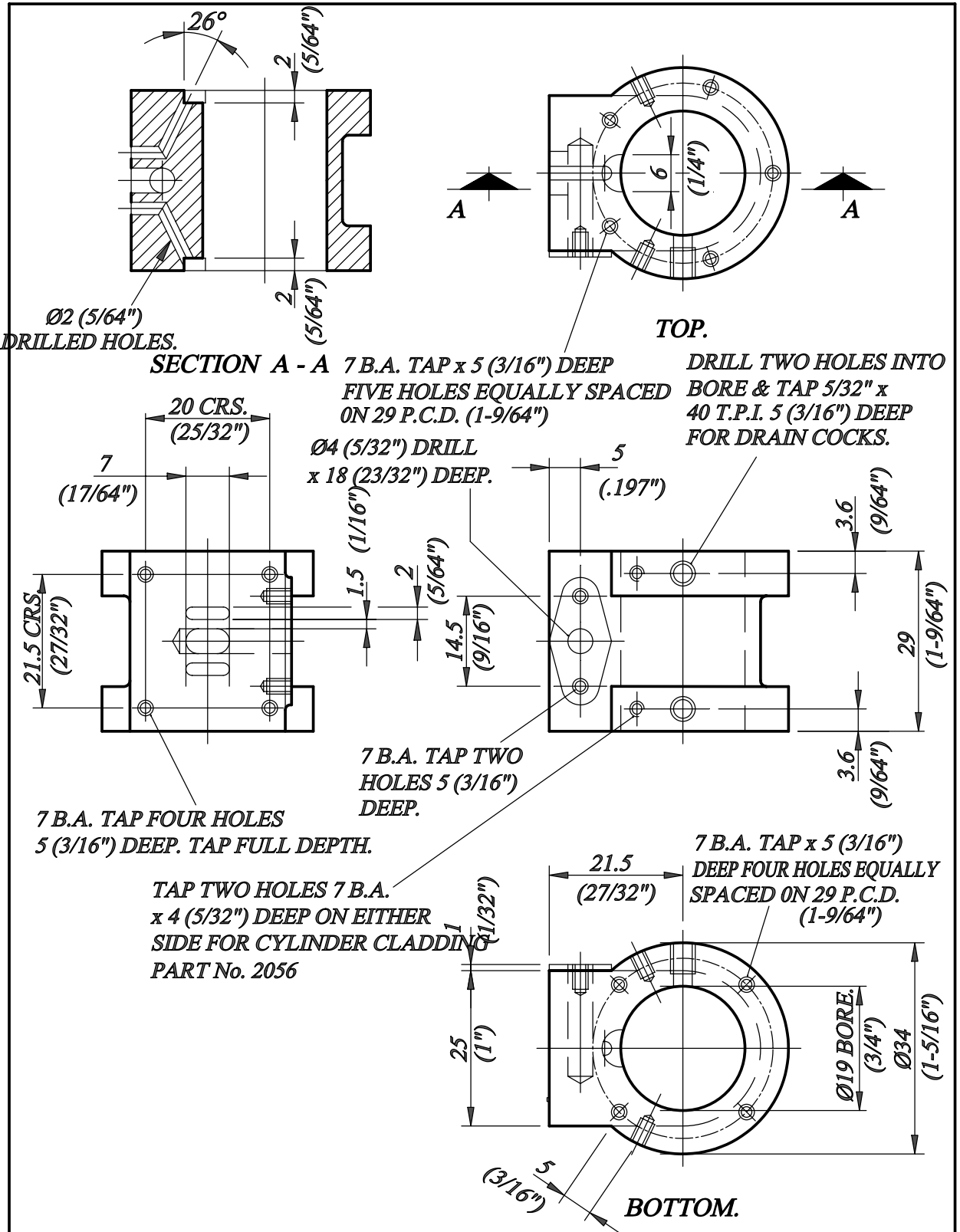
9.5 THROW.

(3/8")



Miniature Steam Pty. Ltd. A.B.N. 21 757 946 436	Material: SPHEROIDAL GRAPHITE AS 1831/400-12	Title: CRANKSHAFT - SINGLE CYLINDER.	
	Date: 23.04.08	Scale: N.T.S.	Part No. 1038

"Pevensey" Cylinder Sub-assembly P2/7



Miniature Steam Pty. Ltd. A.B.N. 21 757 946 436	Material: Bronze AS 1565 G1 Grade 905C	Title: CYLINDER - RIGHT HAND.	
	Date: 09.03.08	Scale: N.T.S.	Part No. 1029