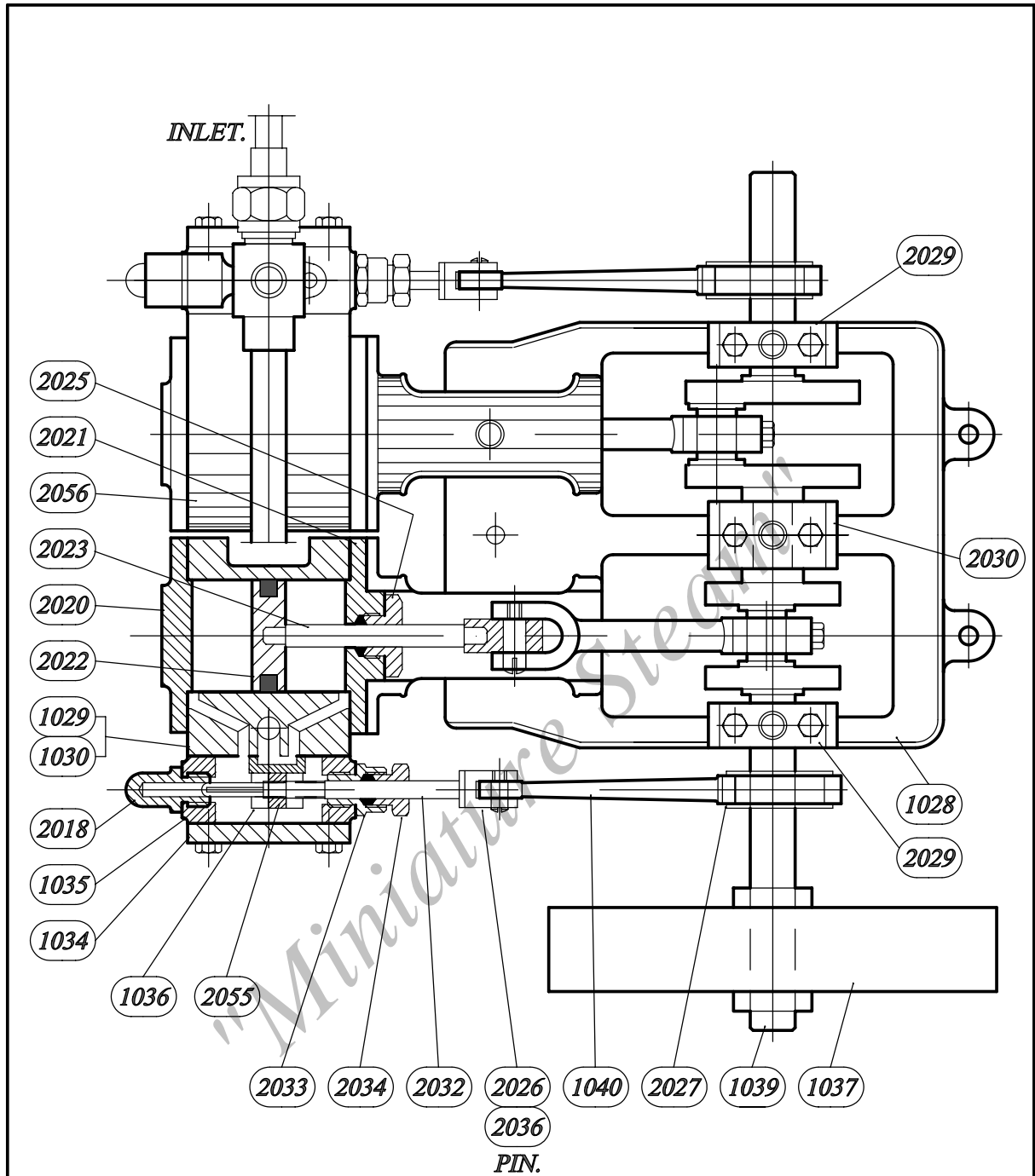


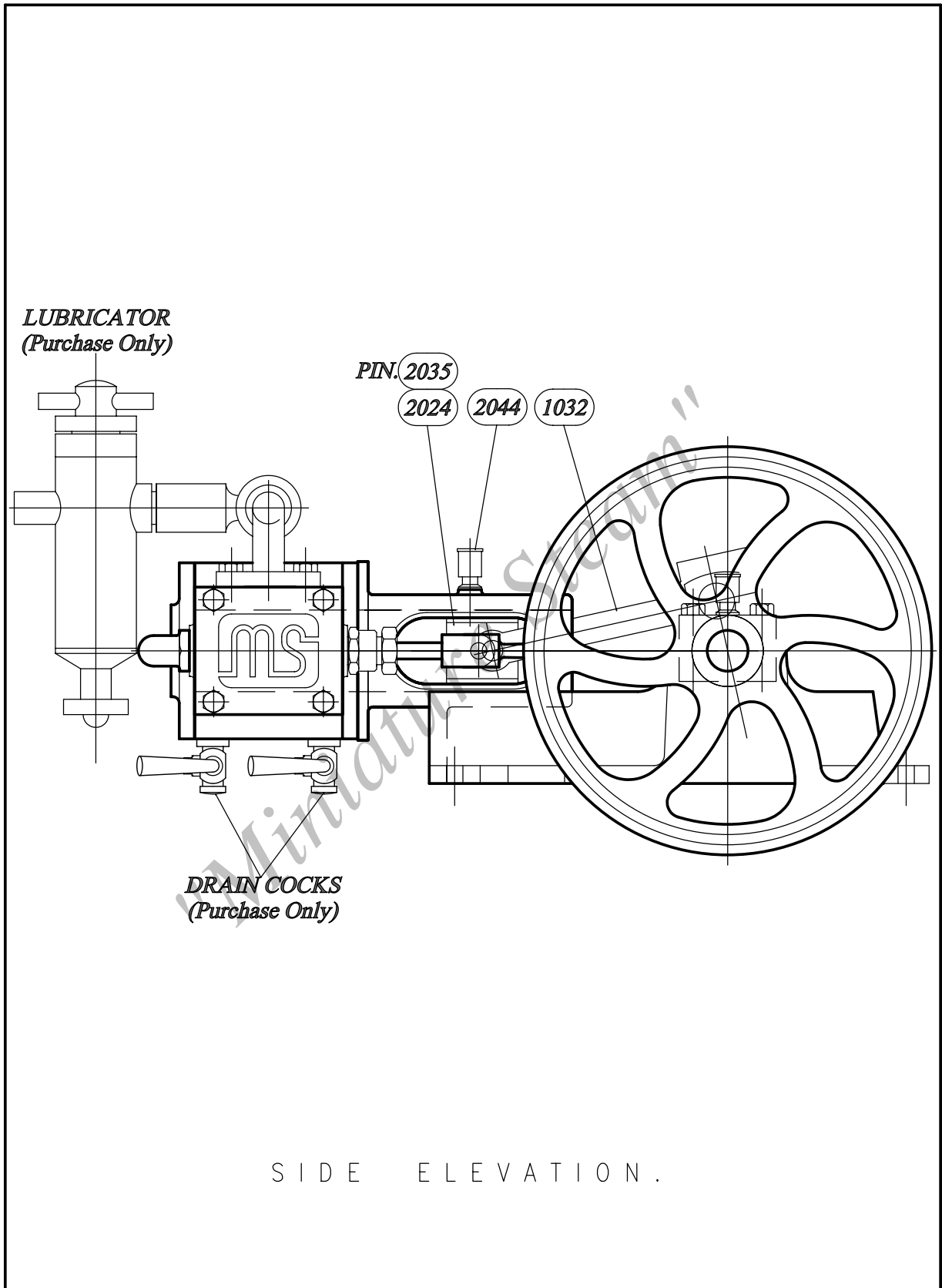
"Gem" General Assembly - Plan



P L A N .

<p>Miniature Steam Pty. Ltd. A.B.N. 21 757 946 436</p>	Title GENERAL ARRANGEMENT - 'GEM'.			SHEET 3 OF 3
	Date: 20.08.07	Scale: N.T.S.	Part No. GA-0006	Rev. 1

"Gem" General Assembly - Side Elevation



Miniature Steam Pty. Ltd.

A.B.N. 21 757 946 436

Title

GENERAL ARRANGEMENT - 'GEM'.

SHEET 2 OF 3

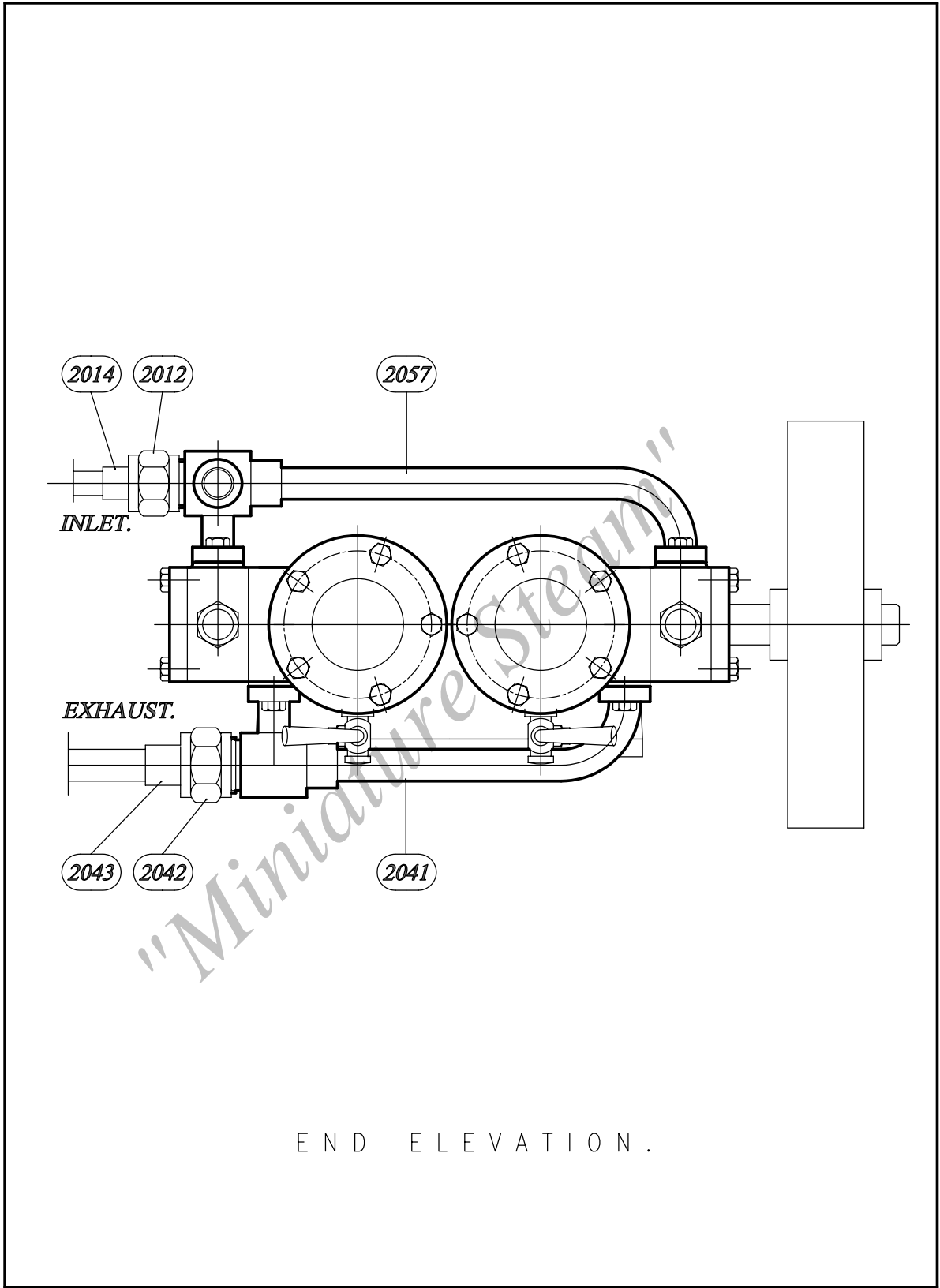
Date: *20.08.07*

Scale: *N.T.S.*

Part No. *GA-0006*

Rev. *1*

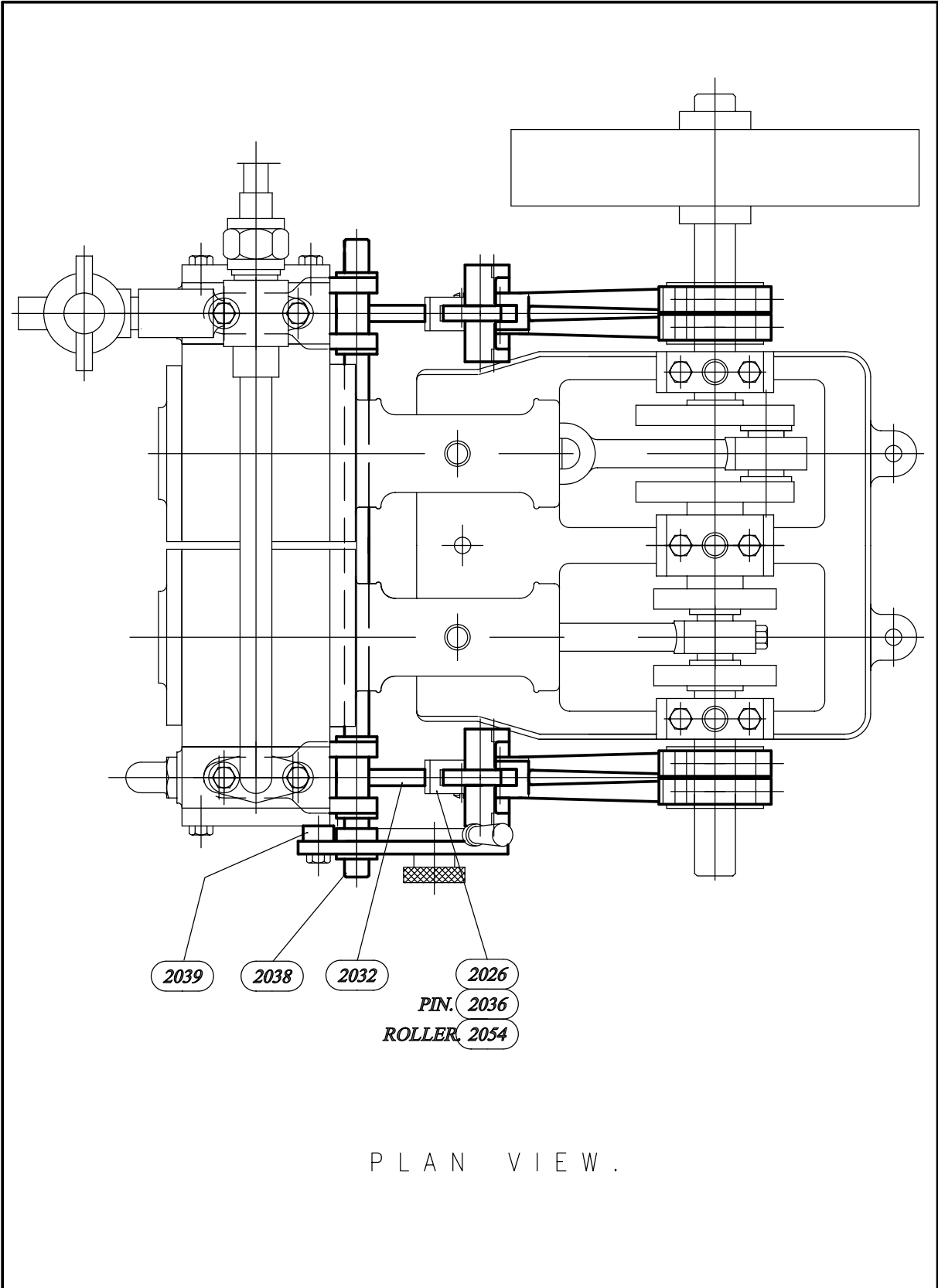
"Gem" General Assembly - End Elevation



END ELEVATION.

Miniature Steam Pty. Ltd. A.B.N. 21 757 946 436	Title GENERAL ARRANGEMENT - 'GEM'.			SHEET 1 OF 3	
	Date: 20.08.07	Scale: N.T.S.	Part No. GA-0006	Rev. 1	

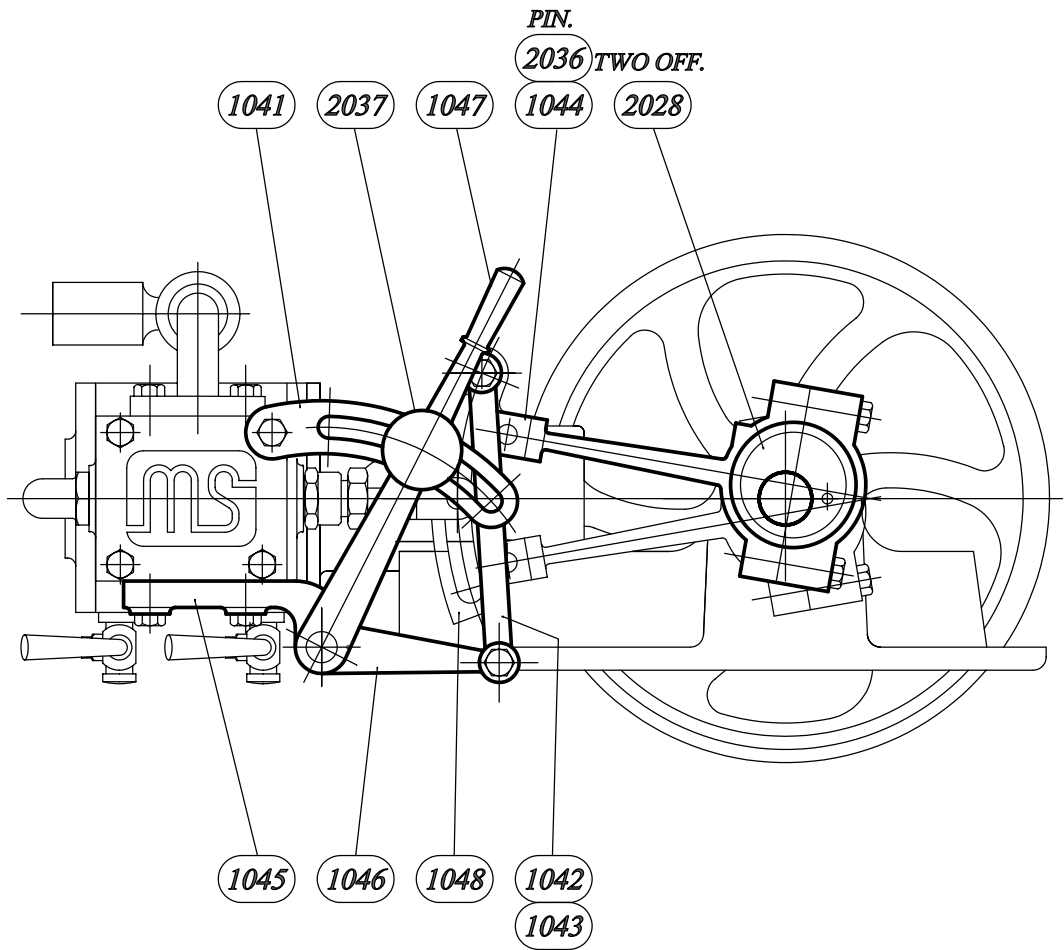
"Gem" Reversing Gear - Plan



P L A N V I E W .

<p><i>Miniature Steam Pty. Ltd.</i> A.B.N. 21 757 946 436</p>	<p>Title GENERAL ARRANGEMENT - REVERSING GEAR <i>fitted to 'GEM'</i></p>			<p>SHEET 1 OF 2</p>
	<p>Date: 20.08.07</p>	<p>Scale: N.T.S.</p>	<p>Part No. GA-0010</p>	<p>Rev. 1</p>

"Gem" Reversing Gear - Elevation



E L E V A T I O N .

Miniature Steam Pty. Ltd.

A.B.N. 21 757 946 436

Title **GENERAL ARRANGEMENT - REVERSING GEAR**
fitted to 'GEM'

SHEET 2 OF 2

Date: **20.08.07**

Scale: **N.T.S.**

Part No. **GA-0010**

Rev. **1**