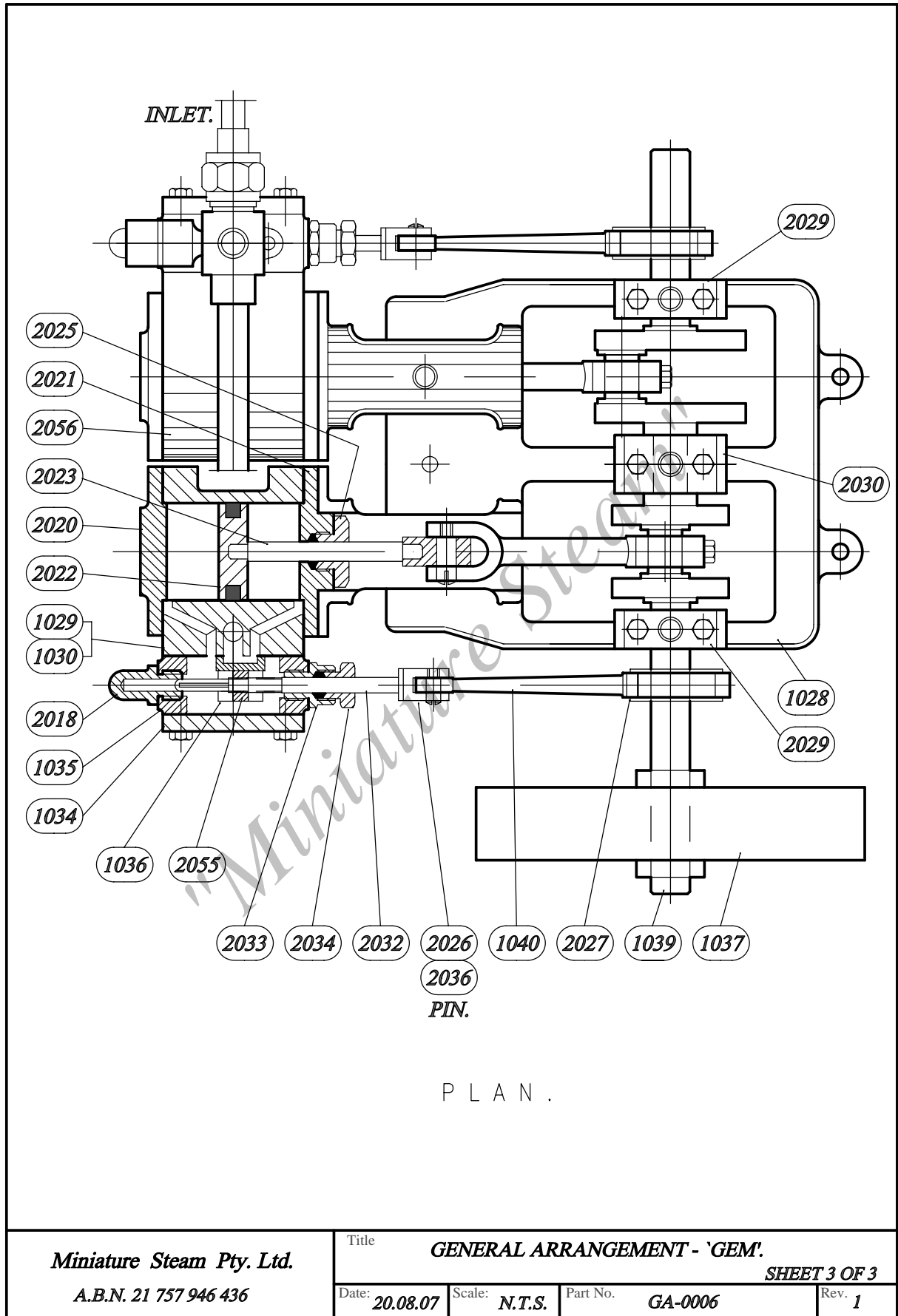
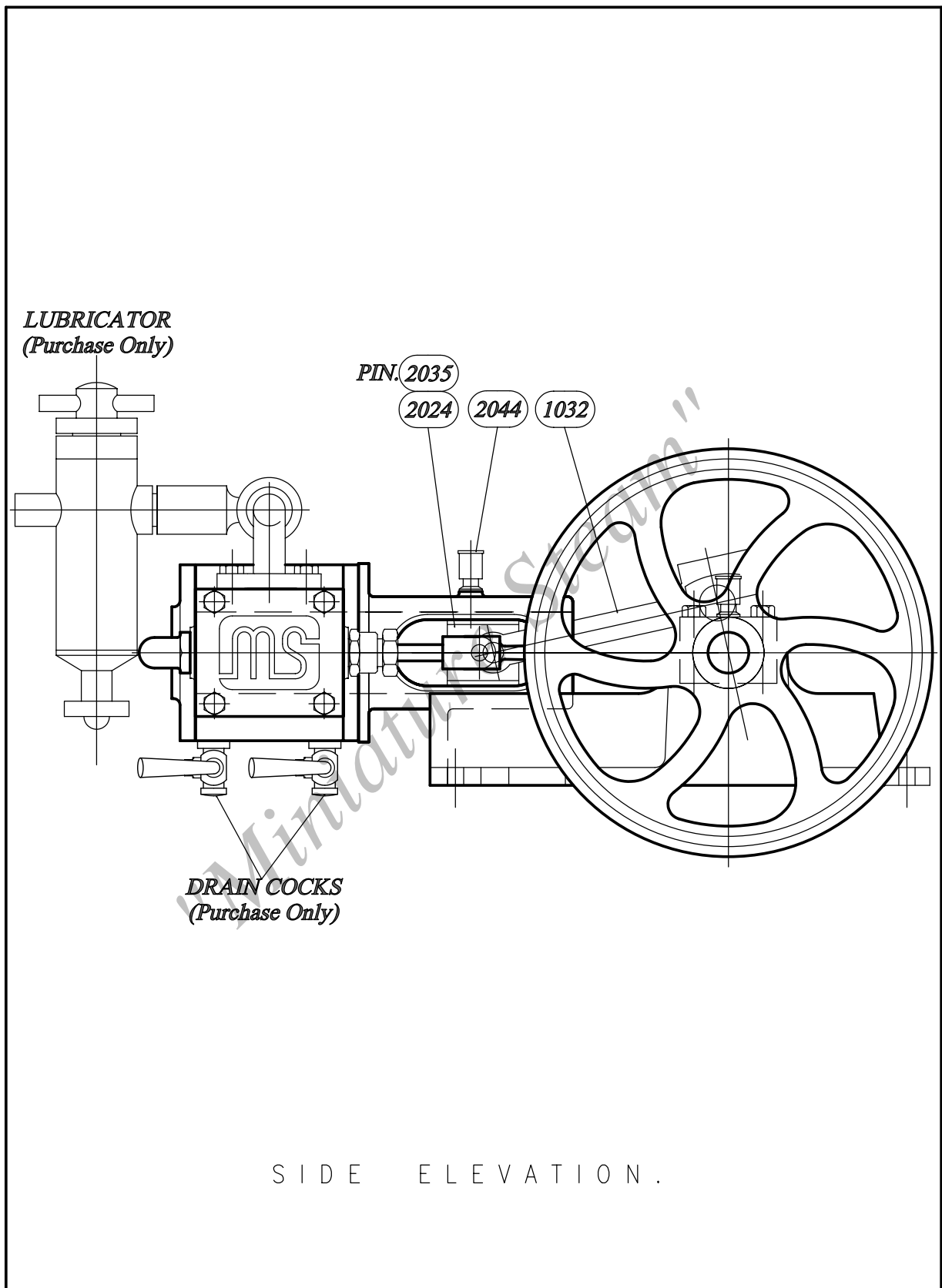


"Gem" General Assembly - Plan



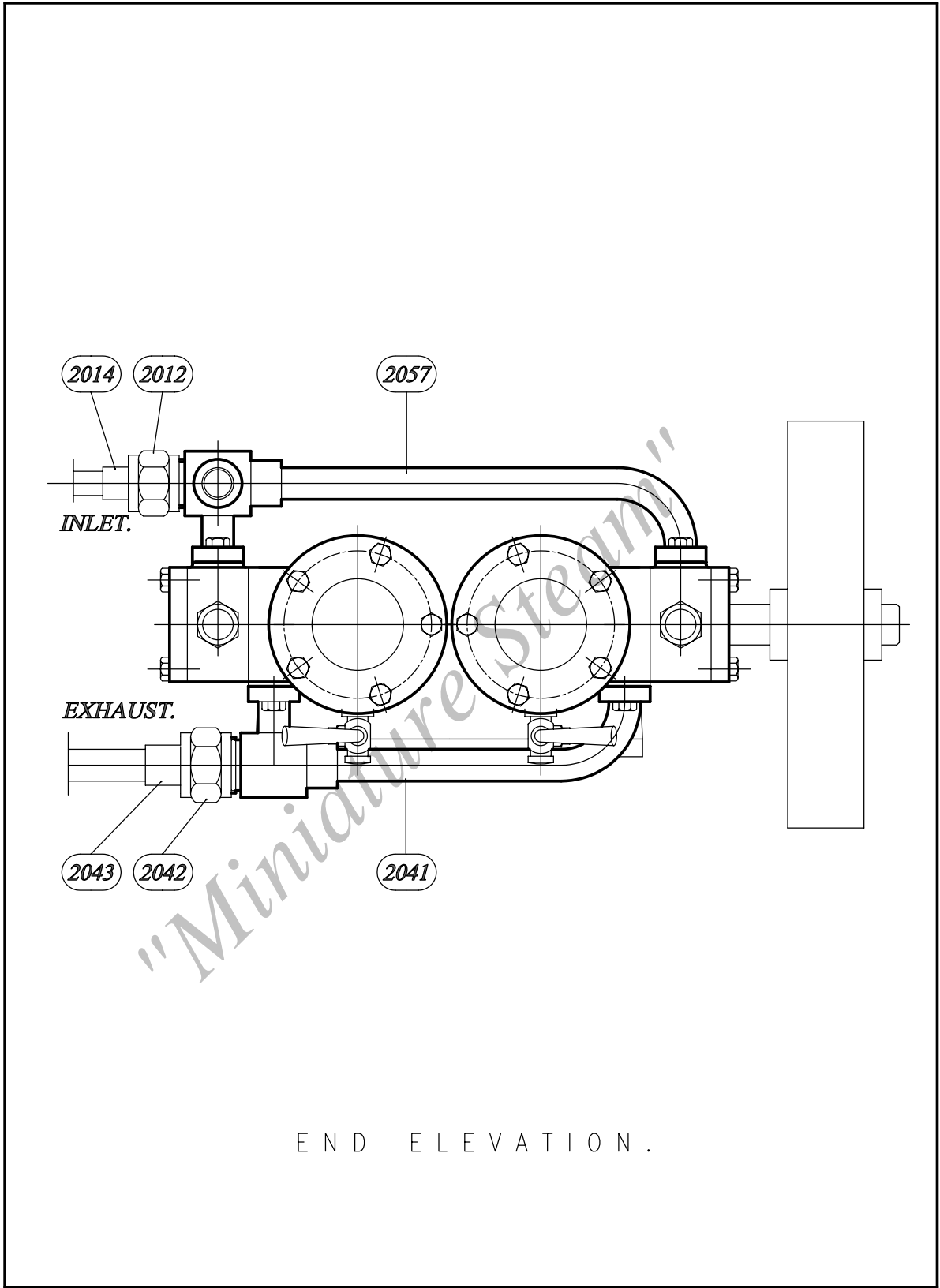
"Gem" General Assembly - Side Elevation



S I D E E L E V A T I O N .

Miniature Steam Pty. Ltd. A.B.N. 21 757 946 436	Title GENERAL ARRANGEMENT - 'GEM'.			SHEET 2 OF 3
	Date: 20.08.07	Scale: N.T.S.	Part No. GA-0006	

"Gem" General Assembly - End Elevation



END ELEVATION.

Miniature Steam Pty. Ltd. A.B.N. 21 757 946 436	Title GENERAL ARRANGEMENT - 'GEM'.			SHEET 1 OF 3	
	Date: 20.08.07	Scale: N.T.S.	Part No. GA-0006	Rev. 1	