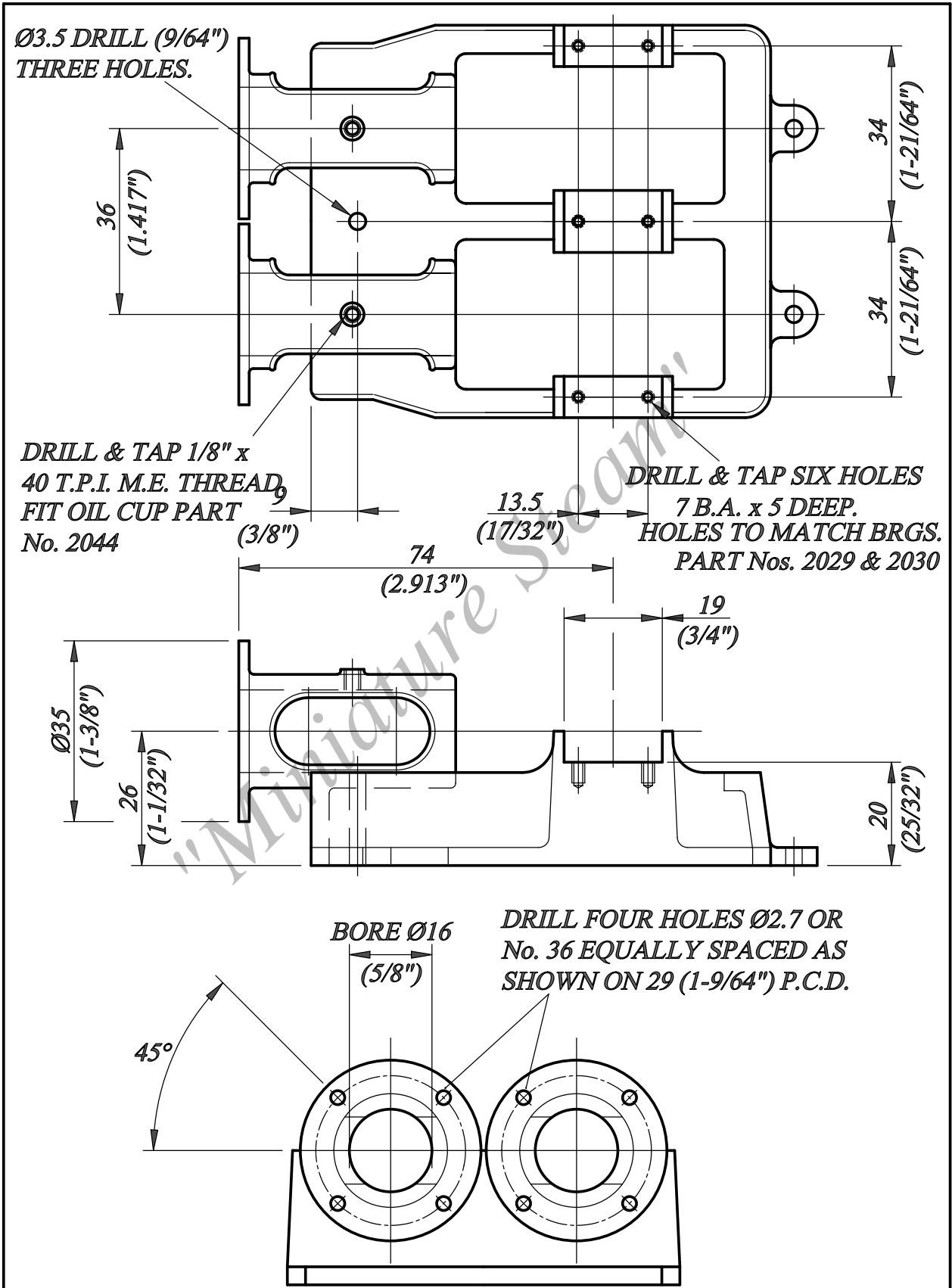
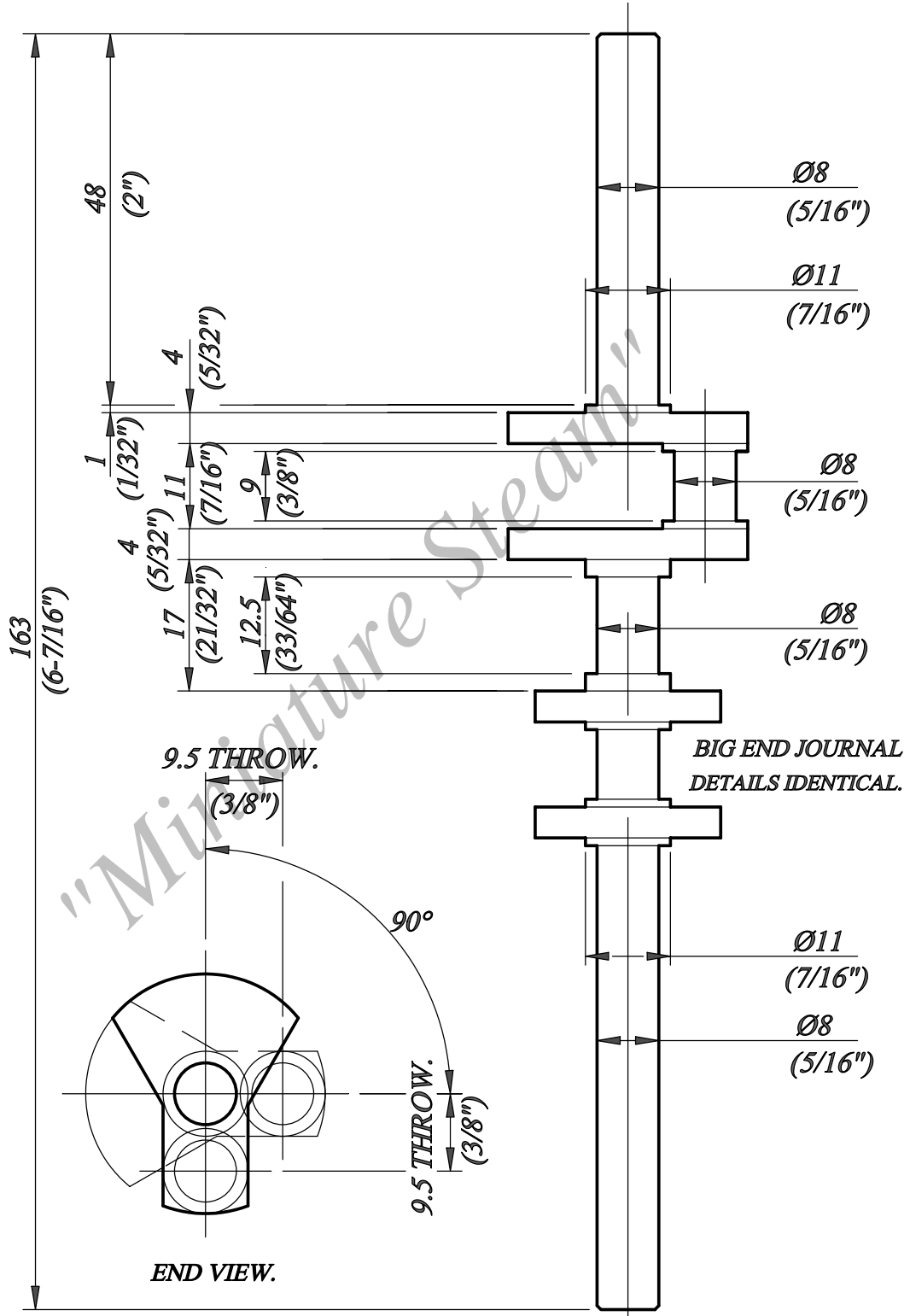


**"Gem" Base Sub-assembly P2/6**



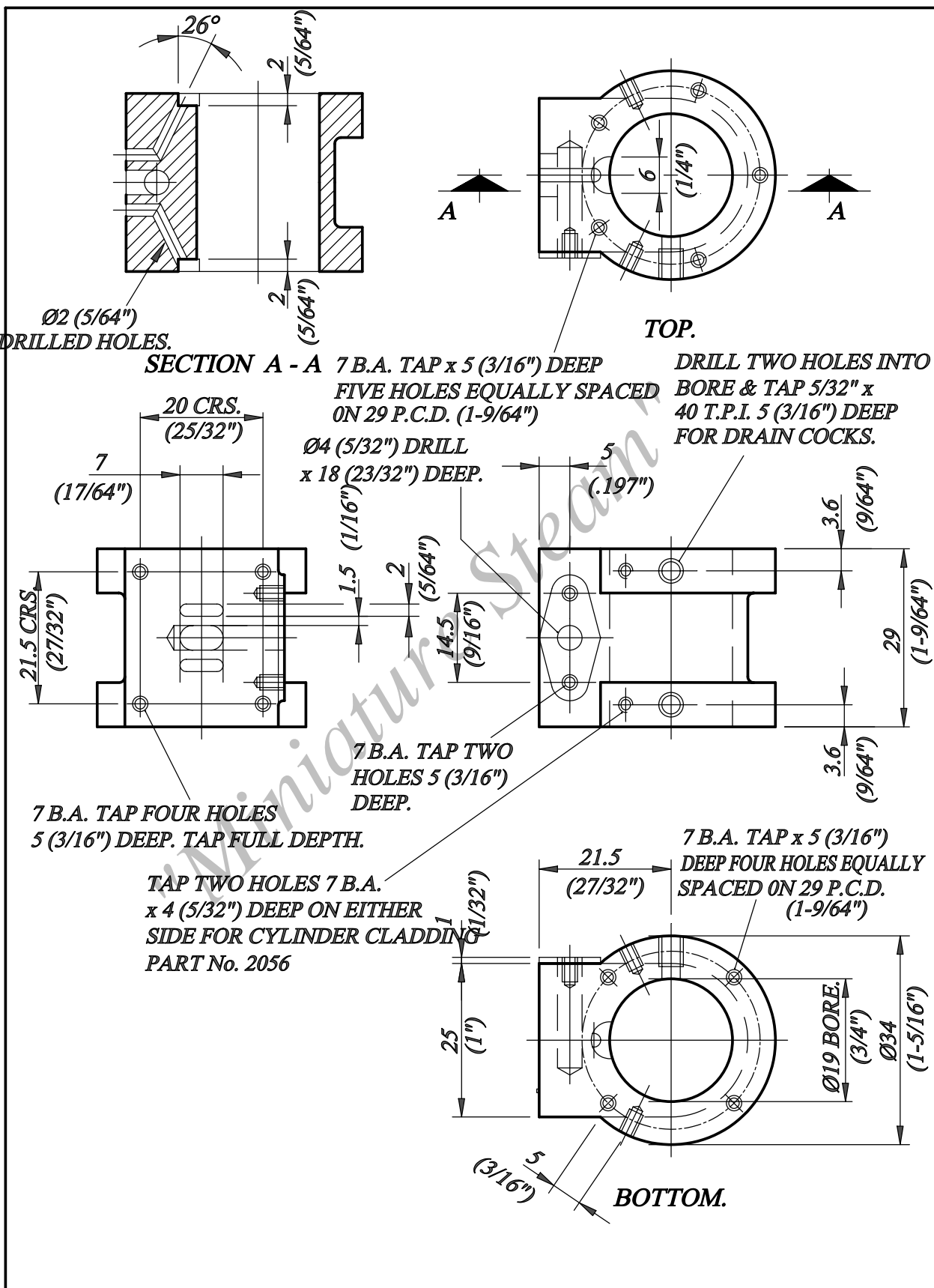
<b>Miniature Steam Pty. Ltd.</b> A.B.N. 21 757 946 436	Material: <b>Bronze</b> <b>AS 1565 G1 Grade 905C</b>	Title: <b>BASE - HORIZONTAL TWIN CYLINDER.</b>	
	Date: <b>21.04.08</b>	Scale: <b>N.T.S.</b>	Part No. <b>1028</b>

**"Gem" Base Sub-assembly P5/6**



<b>Miniature Steam Pty. Ltd.</b> A.B.N. 21 757 946 436	Material: <b>SPHEROIDAL GRAPHITE</b> AS 1831/400-12		Title: <b>CRANKSHAFT - TWIN CYLINDER.</b>	
	Date: <b>19.03.08</b>	Scale: <b>N.T.S.</b>	Part No. <b>1039</b>	Rev. <b>B</b>

# "Gem" Cylinder Sub-assembly P 2/7



<b>Miniature Steam Pty. Ltd.</b> A.B.N. 21 757 946 436	Material: <b>Bronze AS 1565 G1 Grade 905C</b>		Title: <b>CYLINDER - RIGHT HAND.</b>	
	Date: <b>09.03.08</b>	Scale: <b>N.T.S.</b>	Part No. <b>1029</b>	Rev. <b>B</b>