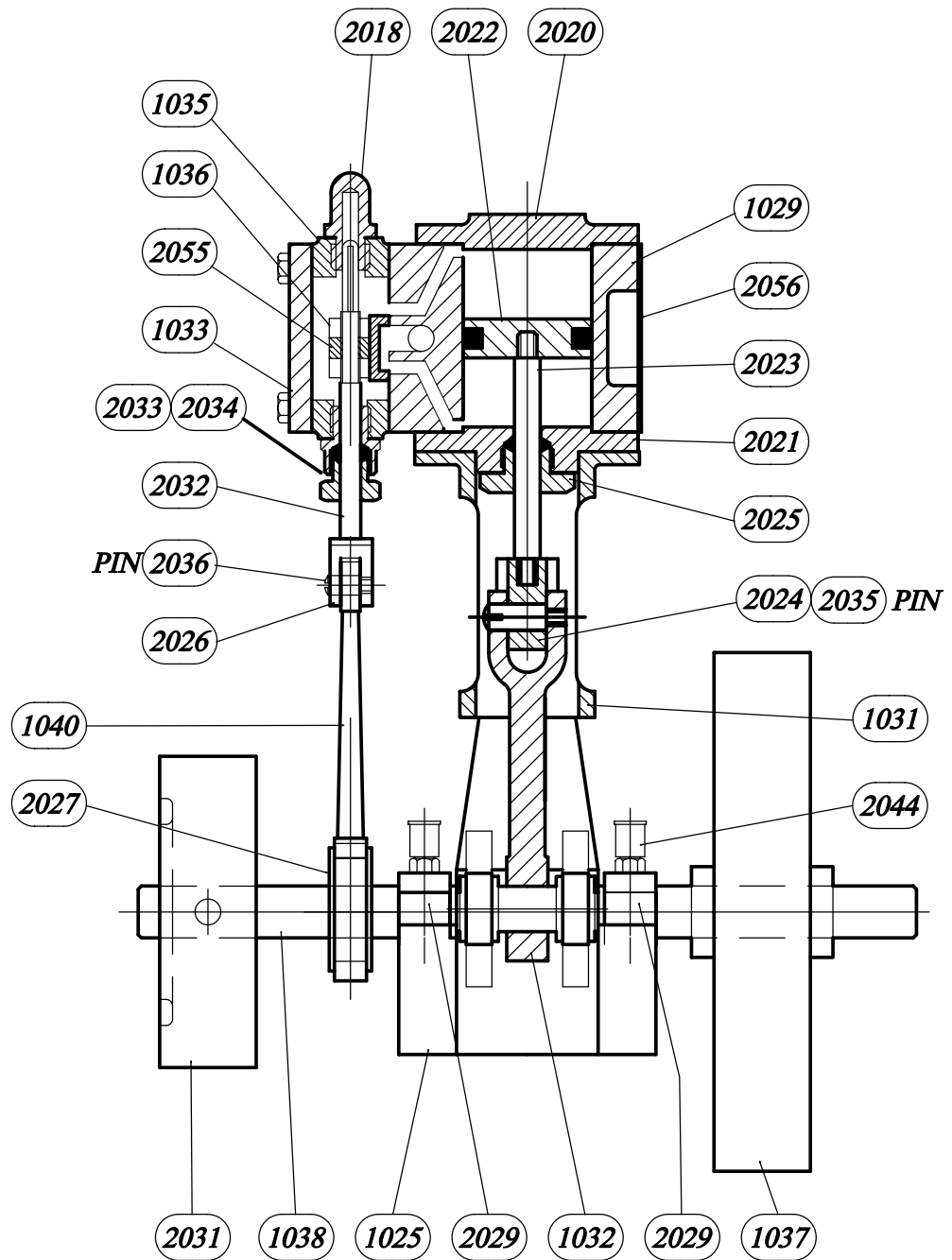


**"Echuca" General Assembly Drawing - Side ElevationView**

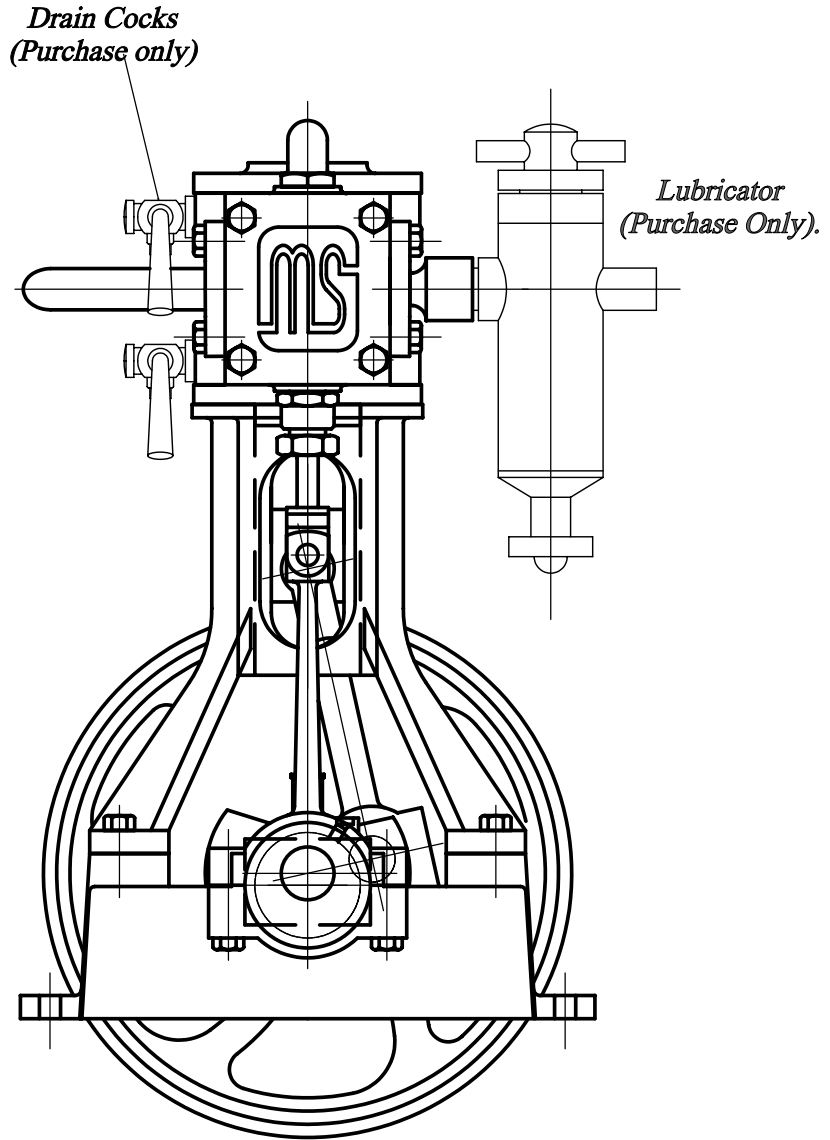


**OPTIONAL FLYWHEEL  
WHEN REQUIRED.**

S I D E   E L E V A T I O N .

<p><b>Miniature Steam Pty. Ltd.</b> A.B.N 21 757 946 436</p>	Title <b>GENERAL ARRANGEMENT - 'ECHUCA'</b>			<b>SHEET 1 OF 3</b>
	Date: <b>22.07.07</b>	Scale: <b>N.T.S.</b>	Part No. <b>GA-0003</b>	Rev. <b>1</b>

**"Echuca" General Arrangement Drawing - End Elevation View**



END ELEVATION .

*Miniature Steam Pty. Ltd.*

*A.B.N. 21 757 946 436*

Title

*GENERAL ARRANGEMENT - 'ECHUCA'*

*SHEET 2 OF 3*

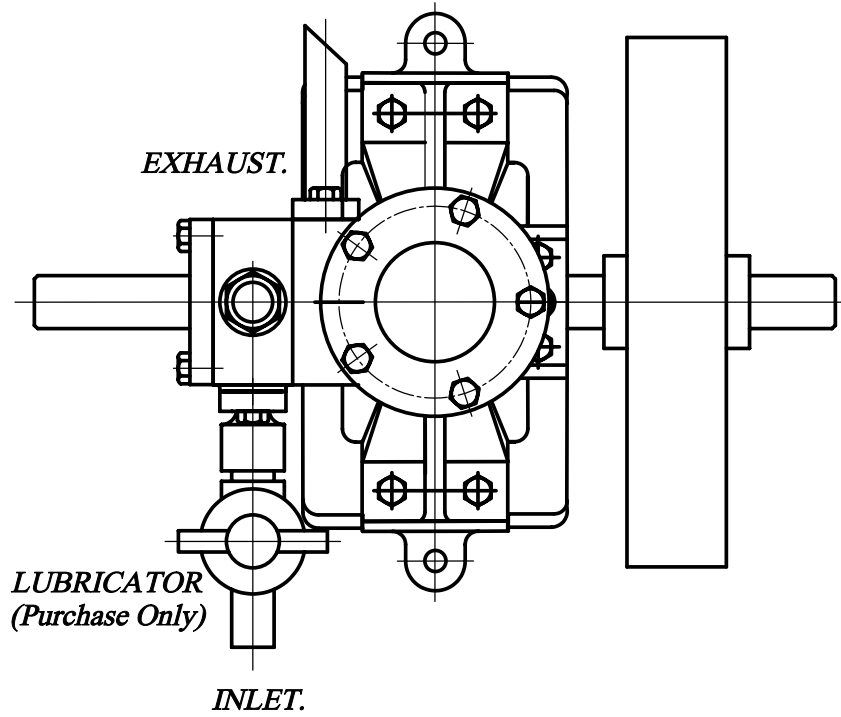
Date: *22.07.07*

Scale: *N.T.S.*

Part No. *GA-0003*

Rev. *1*

**"Echuca" Engine General Assembly Drawing - Plan View**



P L A N .

*Miniature Steam Pty. Ltd.*

*A.B.N. 21 757 946 436*

Title

*GENERAL ARRANGEMENT - 'ECHUCA'*

*SHEET 3 OF 3*

Date:

*22.07.07*

Scale:

*N.T.S.*

Part No.

*GA-0003*

Rev.

*1*