

"Echuca" Base Sub-assembly P2/7

DRILL & TAP FOUR HOLES

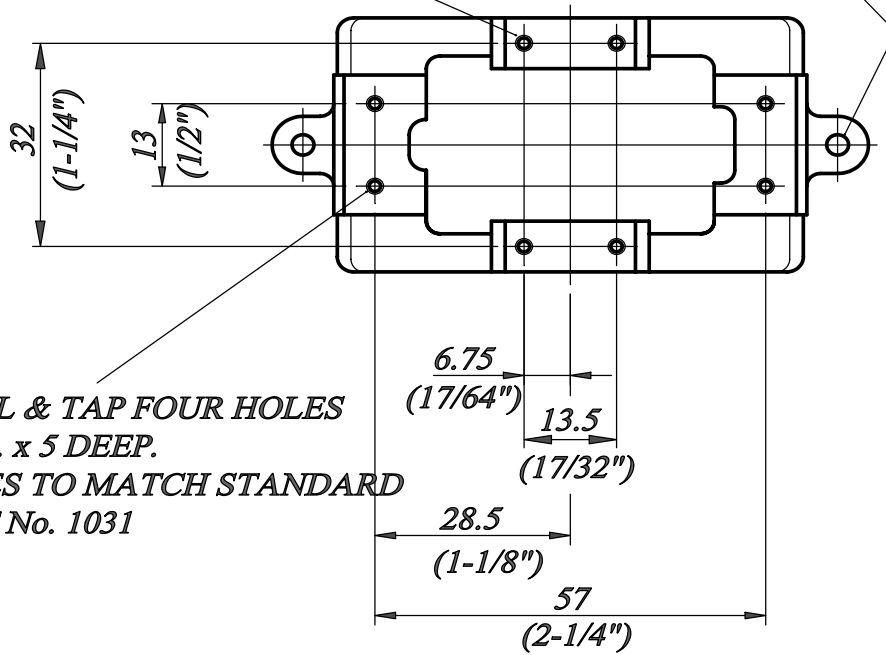
7 B.A. x 5 DEEP.

HOLES TO MATCH BEARINGS

PART No. 2029

Ø3.5 DRILL (9/64")

TWO HOLES.

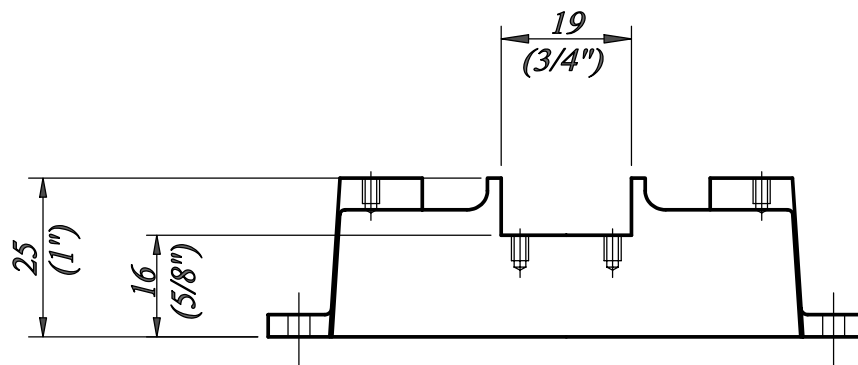


DRILL & TAP FOUR HOLES

7 B.A. x 5 DEEP.

HOLES TO MATCH STANDARD

PART No. 1031



Miniature Steam Pty. Ltd.

A.B.N. 21 757 946 436

Material:

*Bronze
AS 1565 G1 Grade 905C*

Title

BASE - VERTICAL SINGLE CYLINDER.

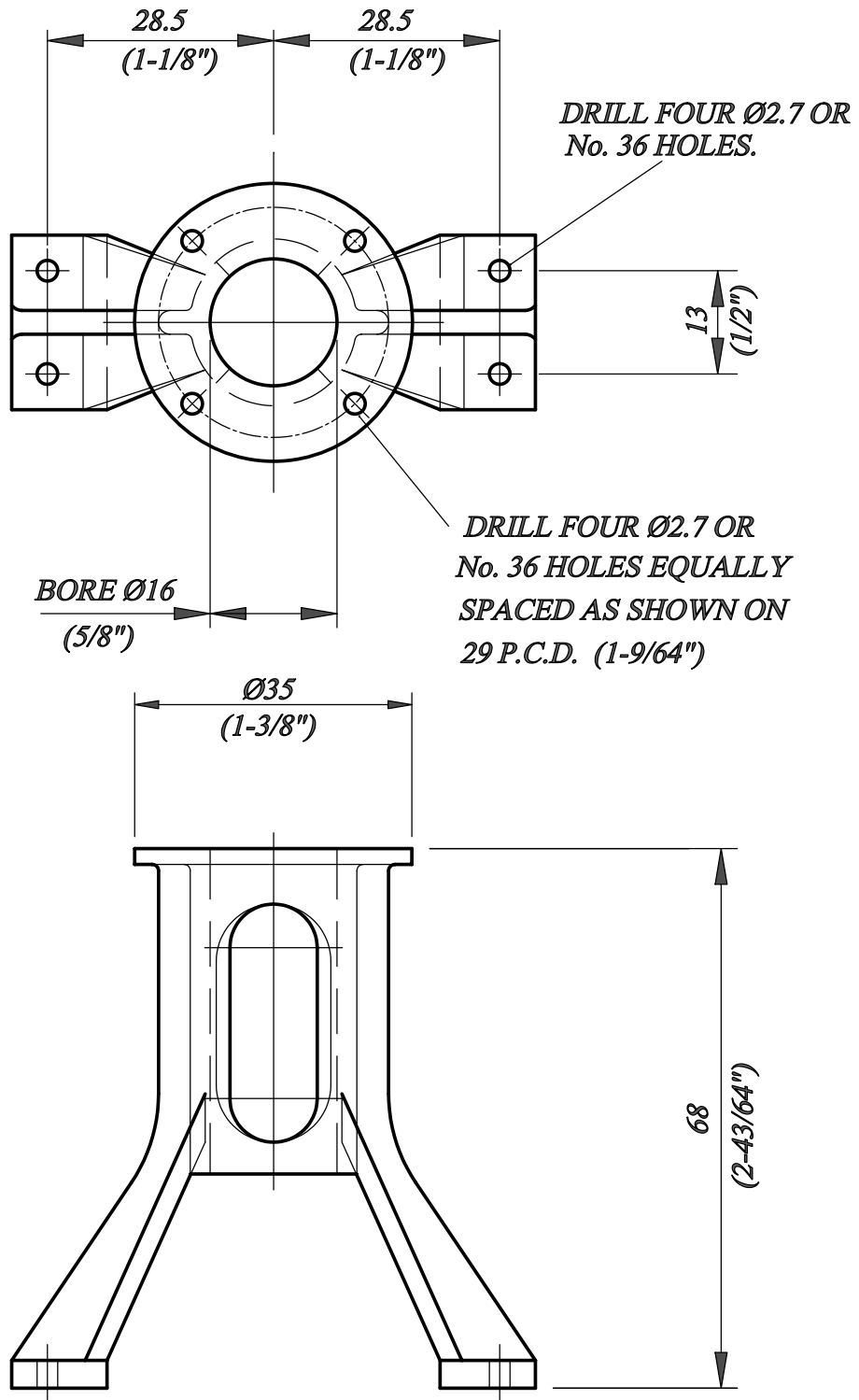
Date: *02.06.07*

Scale: *N.T.S.*

Part No. *1025*

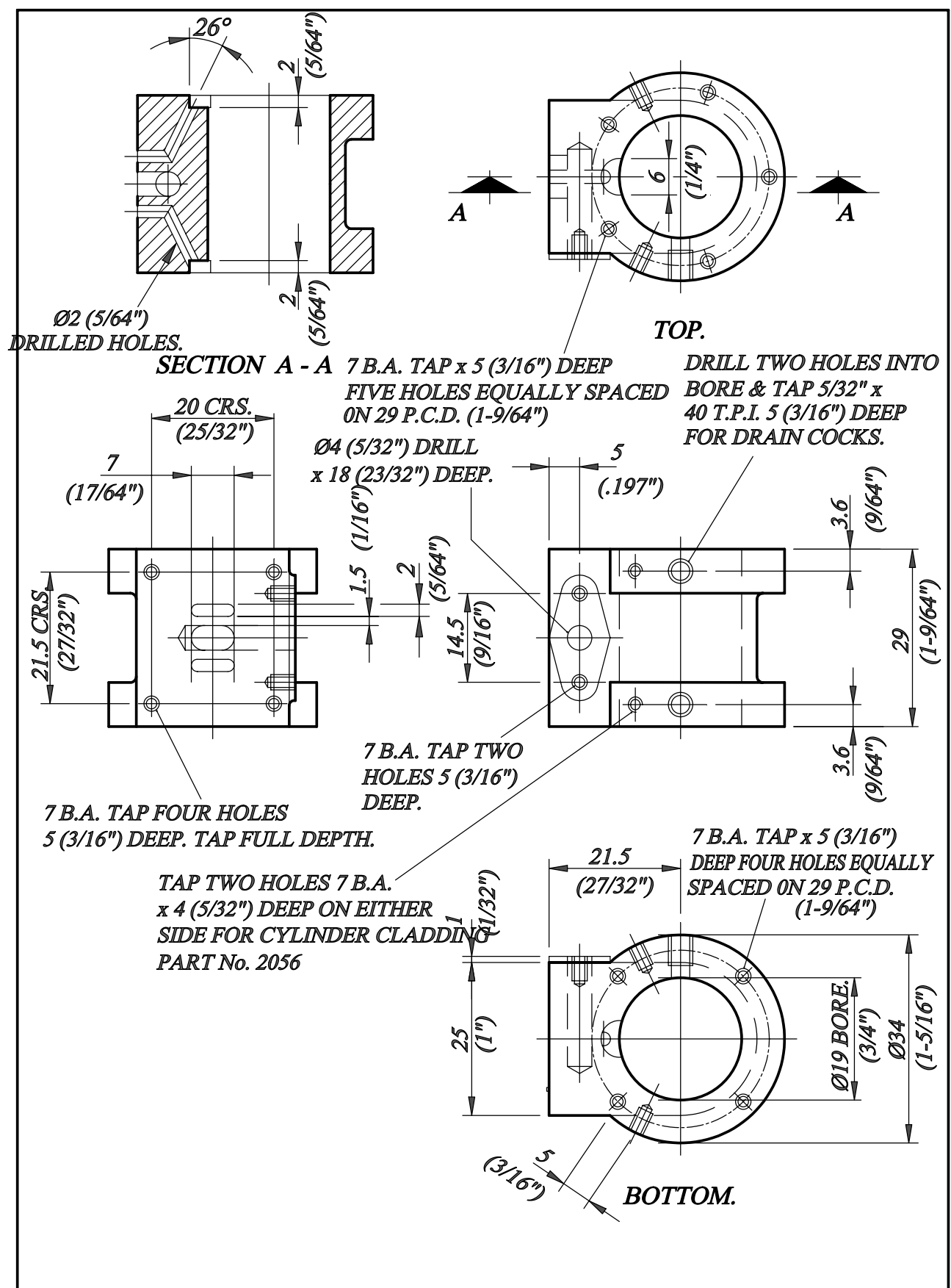
Rev. *1*

"Echuca" Base Sub-assembly P3/7



| | | | |
|--|---|---|----------------------|
| Miniature Steam Pty. Ltd. A.B.N 21 757 946 436 | Material: Bronze AS 1565 G1 Grade 905C | Title: STANDARD. VERTICAL SINGLE and TWIN. | |
| | Date: 02.06.07 | Scale: N.T.S. | Part No. 1031 |

"Echuca" Cylinder Sub-assembly P 2/7



| | | | |
|--|--|--------------------------------------|----------------------|
| Miniature Steam Pty. Ltd. A.B.N. 21 757 946 436 | Material: Bronze AS 1565 G1 Grade 905C | Title: CYLINDER - RIGHT HAND. | |
| | Date: 09.03.08 | Scale: N.T.S. | Part No. 1029 |